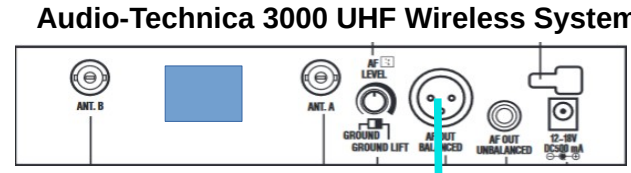
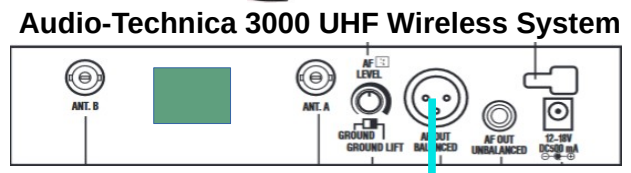


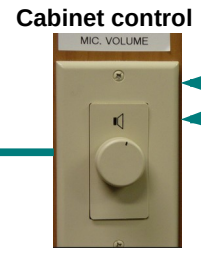
# TA3 Classroom

D-Band  ATW-T310 UniPak body pack transmitters

C-Band Handheld Mic



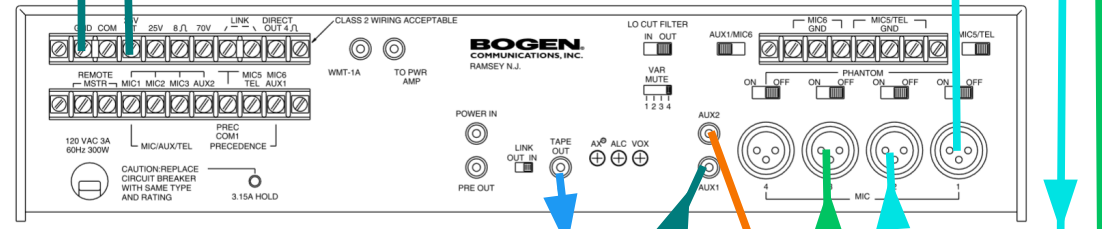
Handheld Mic  
Audio-Technica MB 3k/c



Cabinet control  
Default setting  
One O'clock

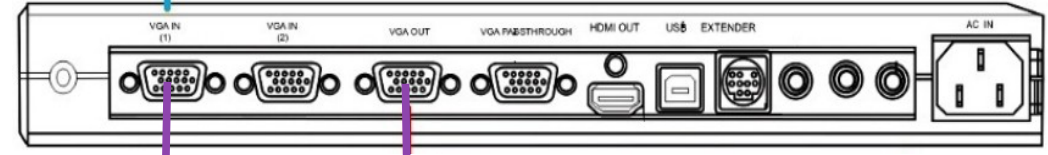
6 Ceiling  
Speakers

Bogen GS60 PA Amplifier



Cabinet jack

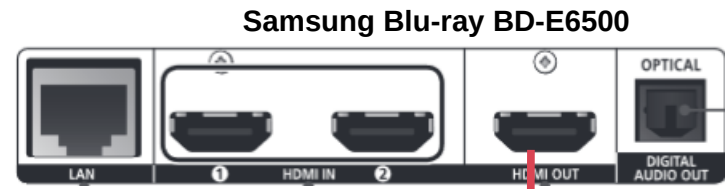
Lumens PS660 Docucam



Out Speech jacks

Cabinet jacks

Cabinet  
HDMI-2 jack

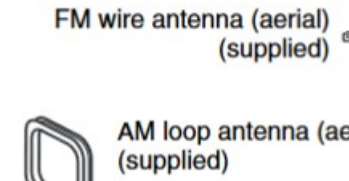
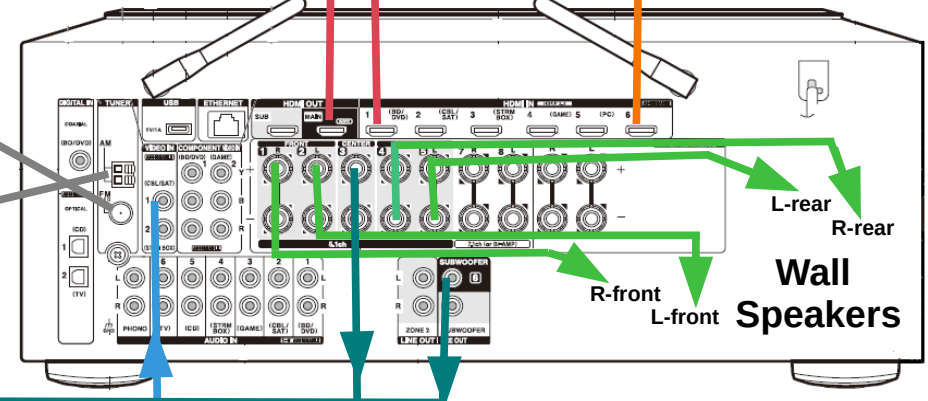


Samsung Blu-ray BD-E6500



ZOOM

Onkyo TX-NR676 AV Receiver

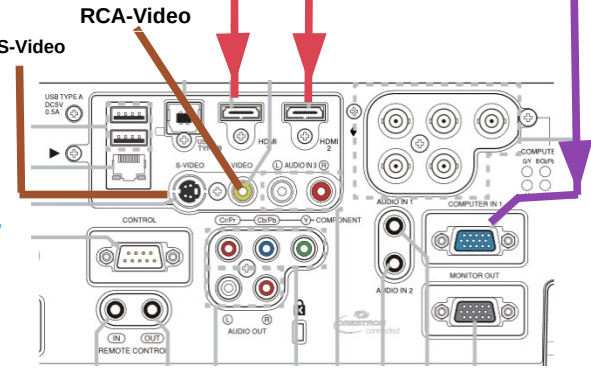


Pioneer S-FCRW710-K  
Sub Woofer

Wall  
Speakers



Toshiba  
Satellite  
S50-A



Hitachi CP-SX8350 Video Projector

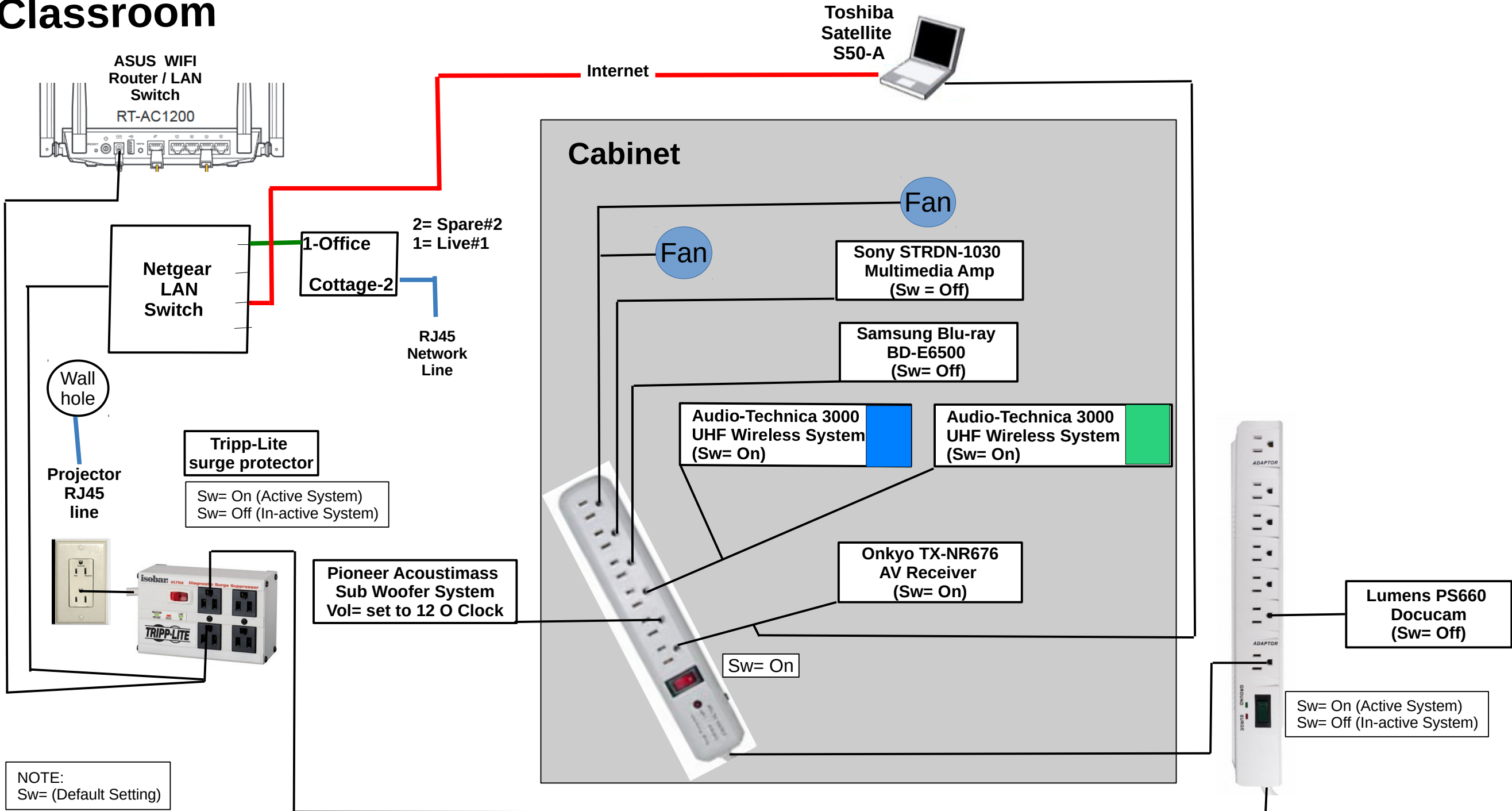
Rolls PM52  
Head Phone Tap

PC Sound jack

Speakers

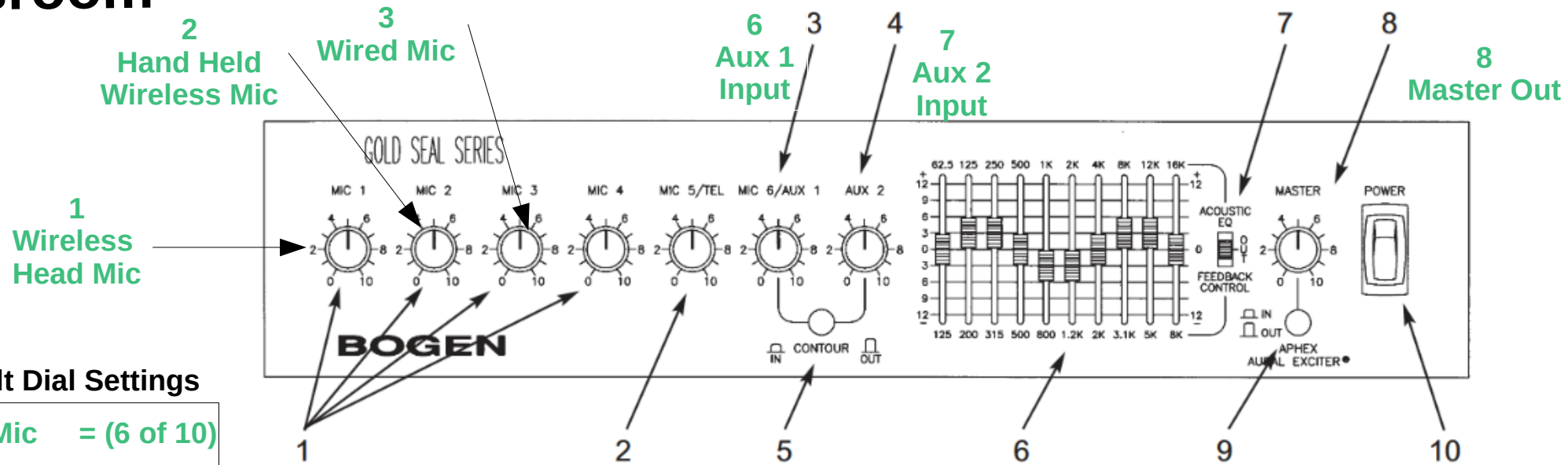
# TA3 Classroom

## Network and Electrical Power Set-up



# TA3 Classroom

## Bogen GS60 PA Amplifier



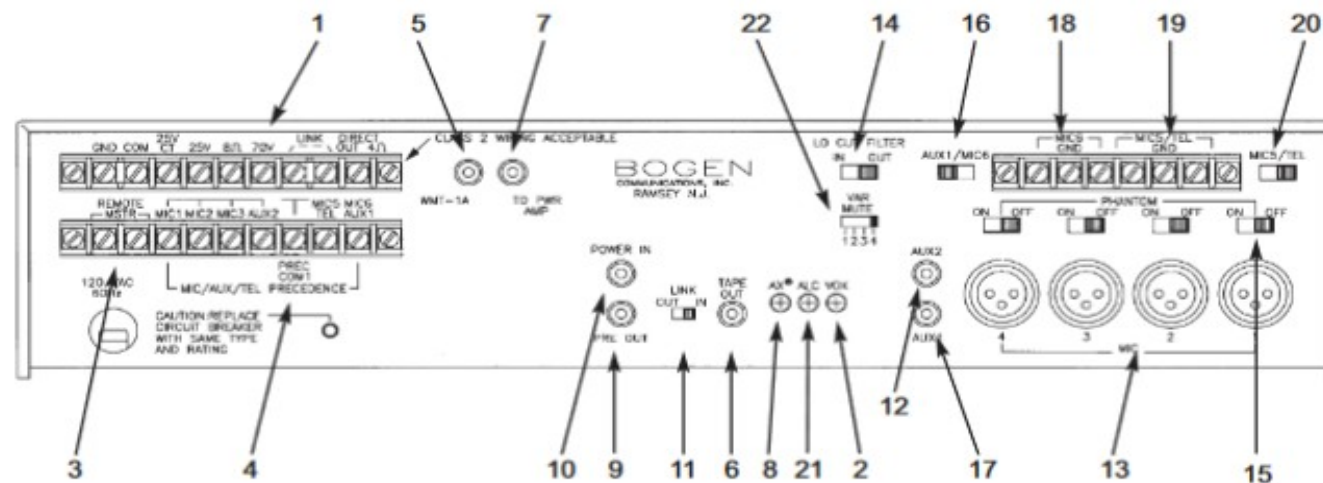
### Default Dial Settings

- 1 W H Mic = (6 of 10)
- 2 H H W Mic = (6 of 10)
- 3 W Mic = (6 of 10)
- 6 Aux 1 = (6 of 10)
- 7 Aux 2 = (6 of 10)
- 8 Master Out = (6 of 10)

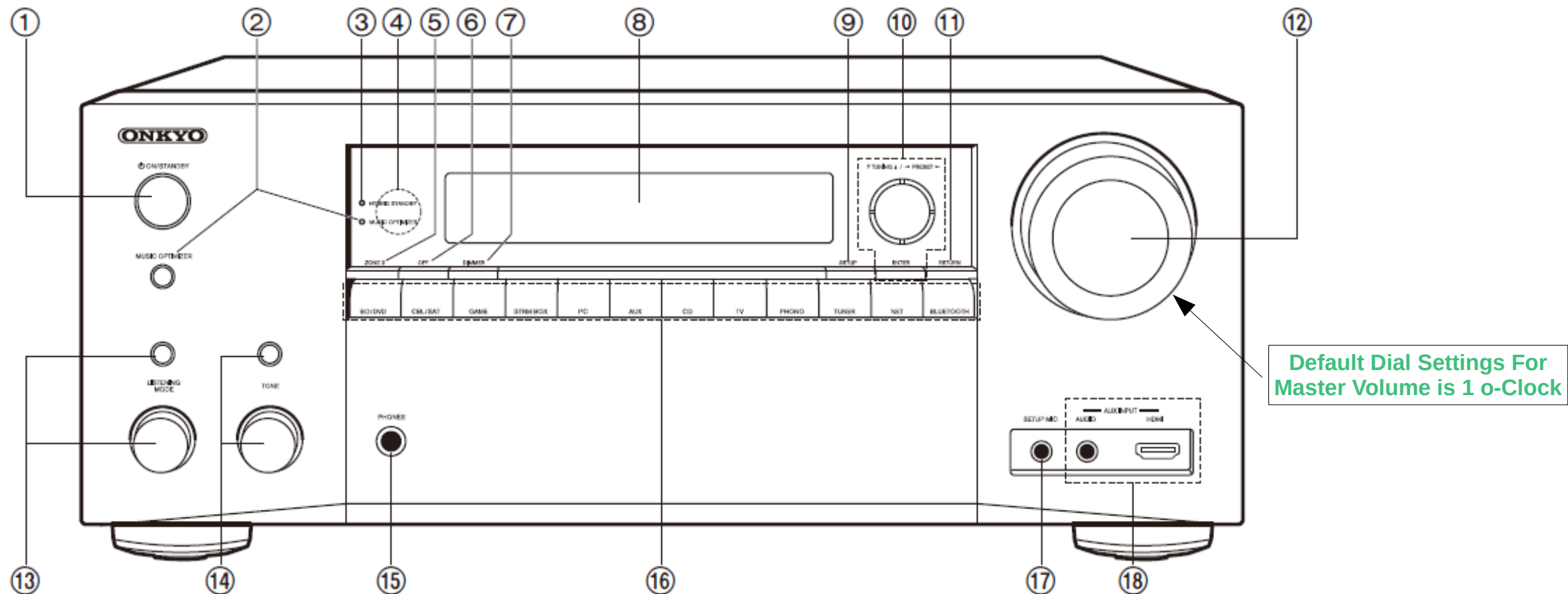
1. MIC 1 to 4 - Individual level controls for dedicated microphone inputs.
2. MIC 5/TEL - Individual level control for Mic 5 or Tel input depending on input mode selected.
3. MIC 6/AUX 1 - Individual level control for Mic 6 or Aux 1 input depending on input mode selected.
4. AUX 2 - Individual level control for dedicated Aux 2 input.
5. Contour - Enables or disables loudness equalization. Affects only Aux 2 and Mic 6/Aux 1 if set in aux mode.
6. Dual Mode Equalizer - 10 band graphic EQ with dual center frequency ability.
7. Dual Mode Equalizer Selector Switch - Selects EQ frequency bands or EQ defeat (OUT).
8. MASTER - Master output level control.
9. APHEX AURAL EXCITER - Enables or disables the Aphex Aural Exciter effect. Affects all input signals.
10. POWER - AC Power switch.



## Bogen GS60 PA Amplifier



1. Amplifier Output - Terminal strip containing all the Gold Seal speaker outputs.
2. VOX - Variable control for adjusting TEL input signal level trigger point for automatic muting of Aux input (works only in the TEL input mode).
3. REMOTE MSTR - Screw terminal pair for connection of remote master volume control (Bogen model: GSRVC).
4. MIC/AUX/TEL PRECEDENCE - Screw terminal connections that allow externally controlled muting of individual inputs.
5. WMT-1A - RCA connection for Bogen model WMT-1A 600 ohm balanced line matching transformer.
6. TAPE OUT - RCA unbalanced output, pre EQ and master volume. (Post Lo-Cut filter, see #14 below).
7. TO PWR AMP - RCA connection provides a high impedance, unbalanced signal level output as a feed to high impedance inputs of other external amplifiers.
8. AX - Variable control for adjusting the amount of Aphex Aural Exciter effect.
9. PRE OUT - RCA unbalanced output from preamp/mixer stage for connection to external signal processing equipment (used in conjunction with POWER IN and LINK switch).
10. POWER IN - RCA unbalanced direct input to power amp stage for connection to external signal processing equipment (used in conjunction with PRE OUT and LINK switch).
11. LINK - Switch that makes or breaks the internal connection between preamp/mixer stage and power amp stage when used with external signal processing equipment.
12. AUX 2 - RCA unbalanced input for dedicated Aux 2 input.
13. MIC 1 to 4 - Balanced XLR connectors for dedicated microphone inputs.
14. LO CUT FILTER - Enables or disables low frequency roll off (65 Hz) for all microphone inputs.
15. PHANTOM (MIC 1 to 4) - Individual switches enable or disable phantom power to each of the 4 dedicated microphone inputs (MIC 5 and MIC 6 phantom power selection — see page 6).

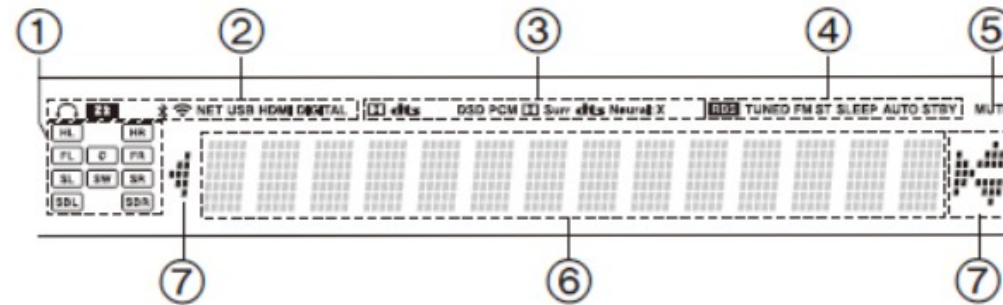


### Front Panel

1. **ON/STANDBY** button
2. **MUSIC OPTIMIZER** button/indicator (North American models): Turns on/off the Music Optimizer function that provides better sound quality for compressed audio.  
**PURE AUDIO** button/indicator (European, Australian, Taiwanese and Asian models): Switches to the Pure Audio mode (P30).
3. **HYBRID STANDBY** indicator: Lights if the unit enters standby mode when the features are enabled that continue to work when this unit is in standby, such as HDMI Standby Through and Network Standby.
4. **Remote control sensor**: Receives signals from the remote controller.
  - The signal range of the remote controller is within about 16' / 5 m, at an angle of 20° on the perpendicular axis and 30° to either side.
5. **ZONE 2** button: Controls the multi-zone function (P29).
6. **OFF** button: Switches the multi-zone function off (P29).
7. **DIMMER** button: You can adjust the brightness of the display in three steps. It cannot be turned off completely.
8. **Display** (P4)
9. **SETUP** button: You can show advanced setting items on the TV and display to provide you with an even better experience. (\*)
10. **Cursor buttons** (▲ / ▼ / ◀ / ▶) and **ENTER** button: Select the item with the cursors and press ENTER to confirm. Use them to tune to stations when using TUNER (P27).
11. **RETURN** button: Returns the display to the previous state.
12. **MASTER VOLUME**
13. Press the **LISTENING MODE** button (above) repeatedly to select a category from "Movie/TV", "Music", "Game", then turn the **LISTENING MODE** dial (below) to change the mode (P30). (\*)



14. You can adjust the sound quality of the front speakers. Press the TONE button (above) repeatedly to select the item to adjust from "Bass" and "Treble", and turn the TONE dial (below) to adjust.
15. PHONES jack: Headphones with a standard plug (Ø1/4"/6.3 mm) are connected.
16. Input selector buttons: Switches the input to be played.
17. SETUP MIC jack: The supplied speaker setup microphone is connected.
18. AUX INPUT AUDIO/HDMI jack: Connect a video camera, etc., using a stereo mini plug cable (Ø1/8"/3.5 mm) or a HDMI cable.



### Display

1. Speaker/Channel display: Displays the output channel that corresponds to the selected listening mode.
2. Lights in the following conditions.
  - Ω: When headphones are connected.
  - Z2: When ZONE 2 is on.
  - ✶: When connected by BLUETOOTH.
  - 📶: When connected by Wi-Fi.
  - NET: When "NET" is selected with the input selector and the unit is connected to the network. It will flash if the connection to the network is not correct.
  - USB: When "NET" is selected with the input selector and the unit is connected by USB and the USB device is selected. Flashes if the USB is not properly connected.
  - HDMI: When HDMI signals are input and the HDMI input is selected.
  - DIGITAL: When digital signals are input and the digital input is selected.
3. Lights according to the type of input digital audio signals and the listening mode.
4. Lights in the following conditions.
  - RDS (European, Australian and Asian models): Receiving RDS broadcasting.
  - TUNED: Receiving AM/FM radio.
  - FM ST: Receiving FM stereo.
  - SLEEP: When the sleep timer is set.
  - AUTO STBY: Auto Standby is on.
5. Flashes when muting is on.
6. Displays various information of the input signals.
7. This may light when performing operations with the "NET" input selector.

## Samsung Blu-ray BD-E6500

